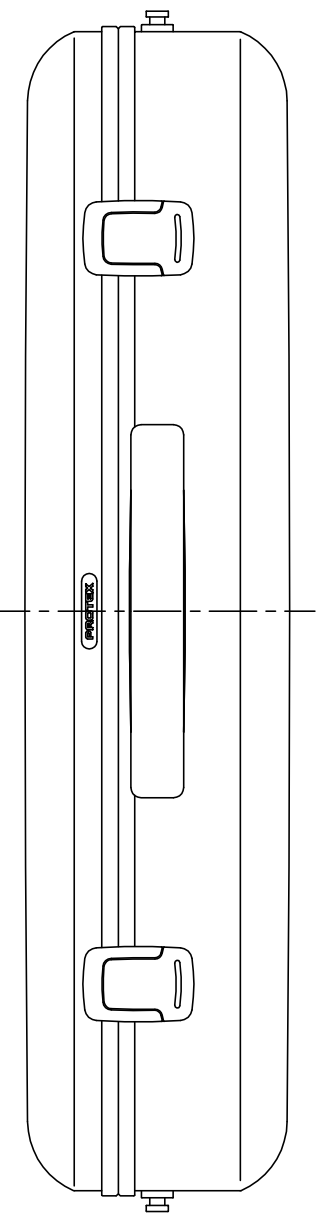


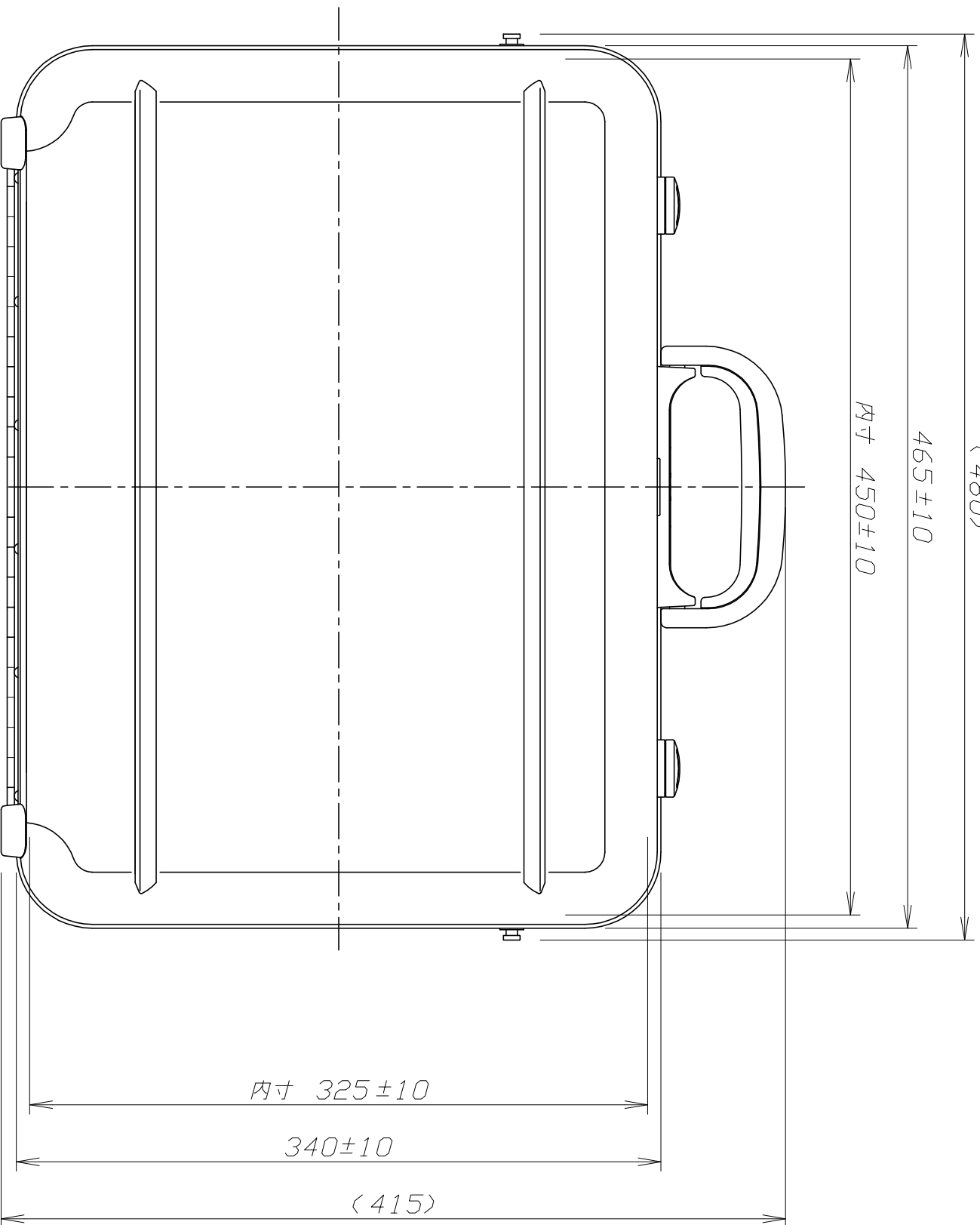
PROTEX



< 480 >

465±10

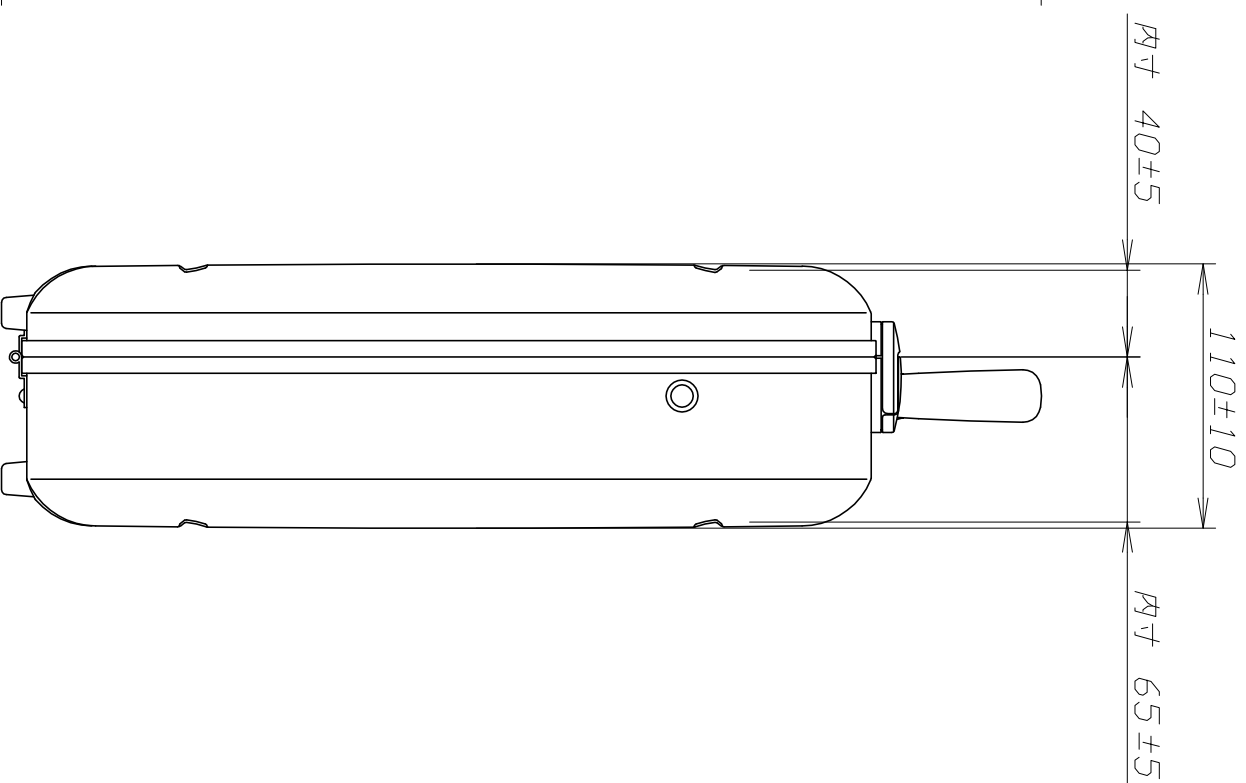
内寸 450±10



< 415 >

340±10

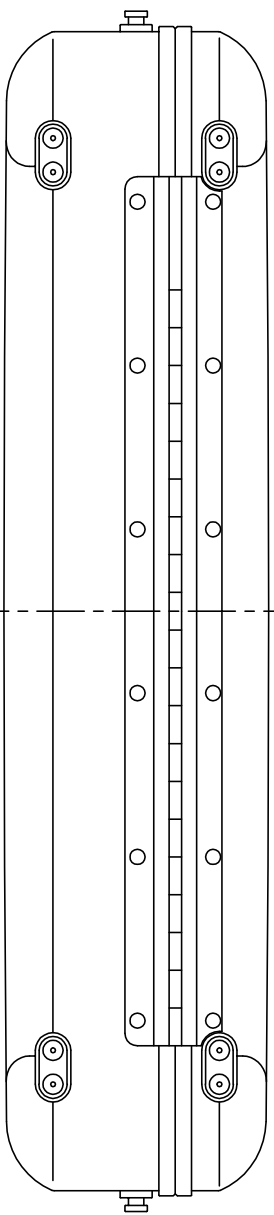
内寸 325±10



110±10

内寸 40±5

内寸 65±5



NOTE

1. UNIT=mm
2. S=NTS
3. WEIGHT: 2.6Kg

ISSUE DATE		DESIGNED		REVISION		APPROVED		TITLE	
DATE	DATE	DESIGNED	CHECKED	REVISION	CHECKED	SIG	CHK	MODEL OR SYSTEM	DRAWING NO.
								LA-603 外形図	
									1/1