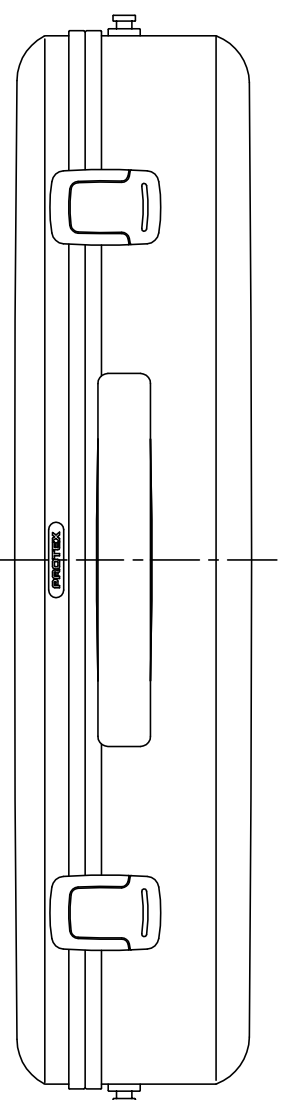


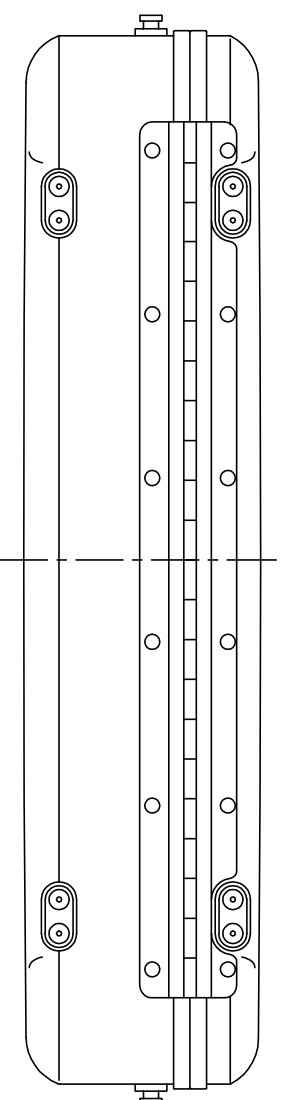
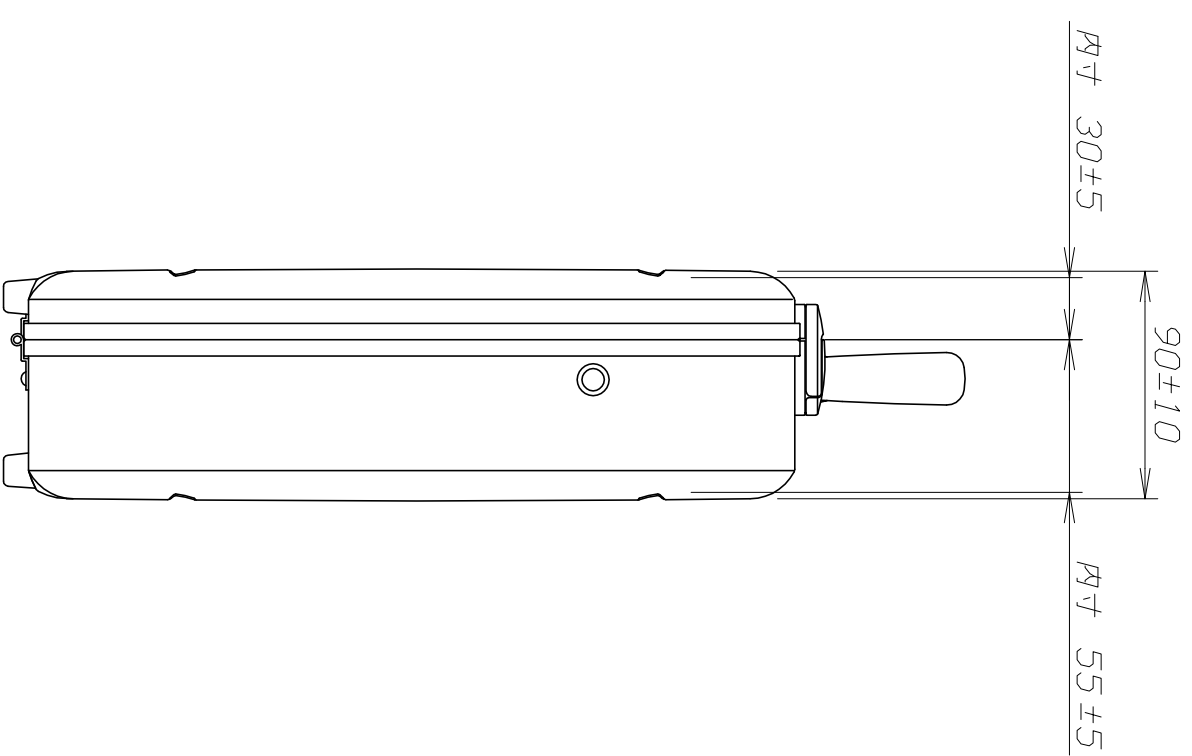
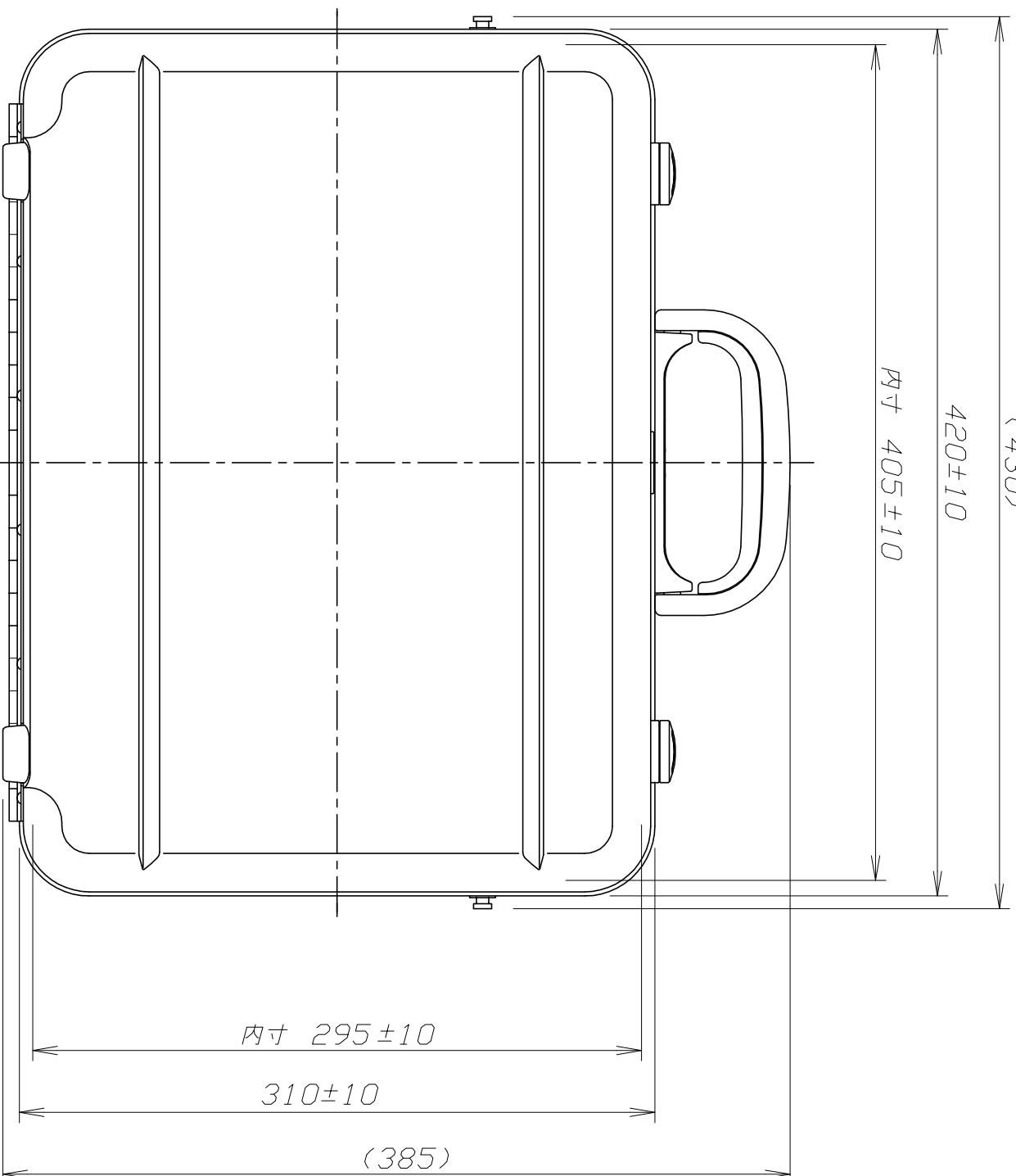
PROTEX



(430)

420±10

内寸 405±10



NOTE

1. UNIT=mm
2. S=NTS
3. WEIGHT: 2.0Kg

| | | | | | | | |
|------------|----------|----------|---------|----------|-----|-----|-----------------|
| ISSUE DATE | DESIGNED | REVISION | CHECKED | APPROVED | SIG | CHK | TITLE |
| DATE | | | | | | | MODEL OR SYSTEM |
| | | | | | | | LA-617 外形 |
| | | | | | | | DRAWING NO. |
| | | | | | | | 1/1 |