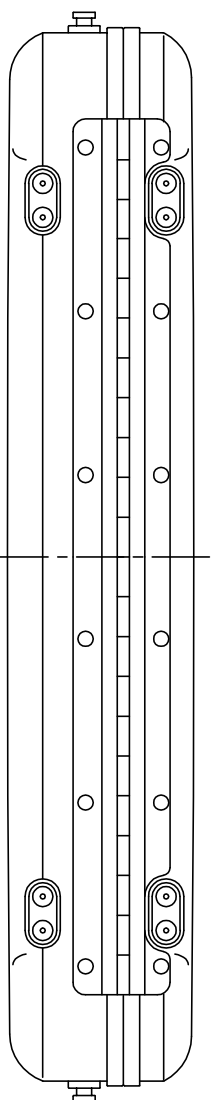
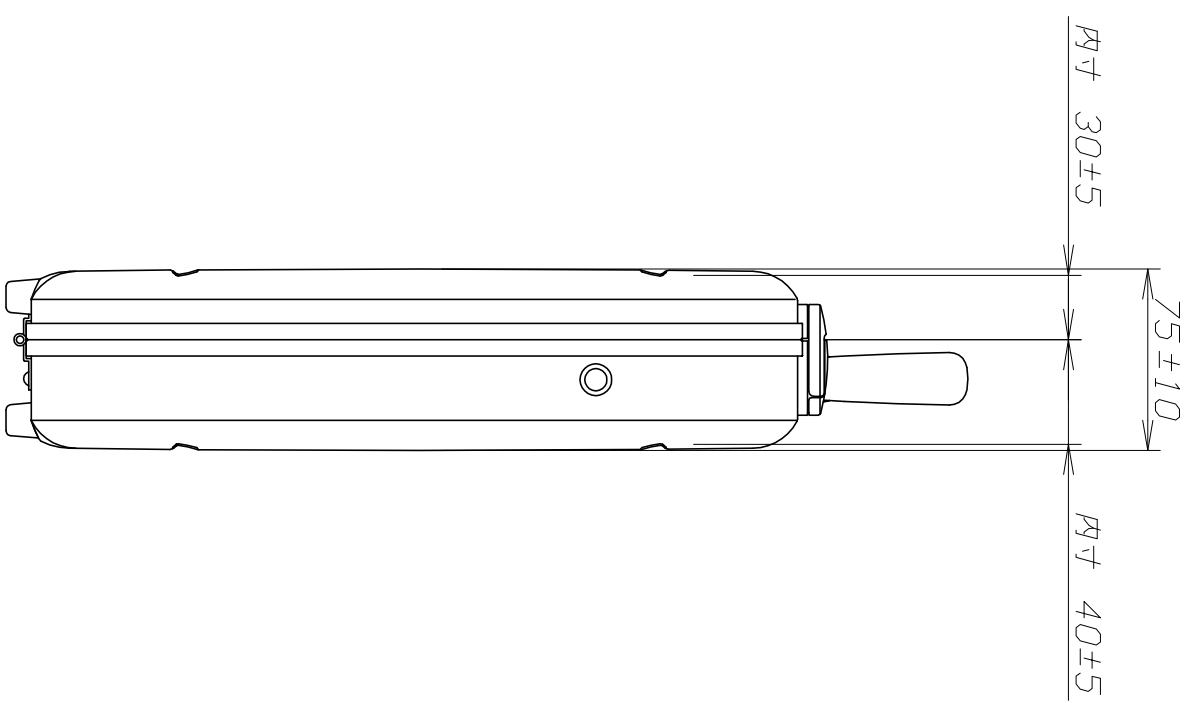
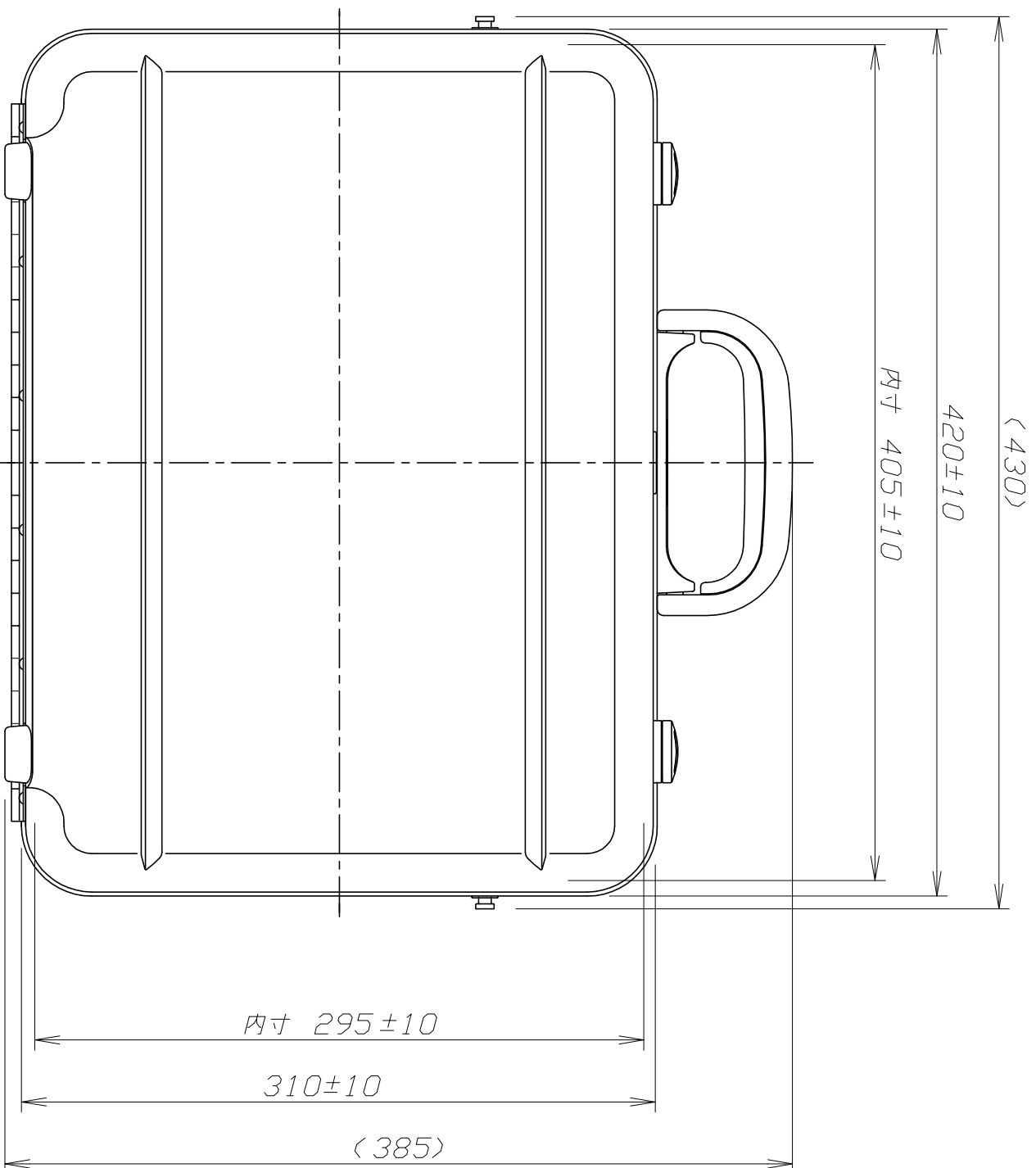
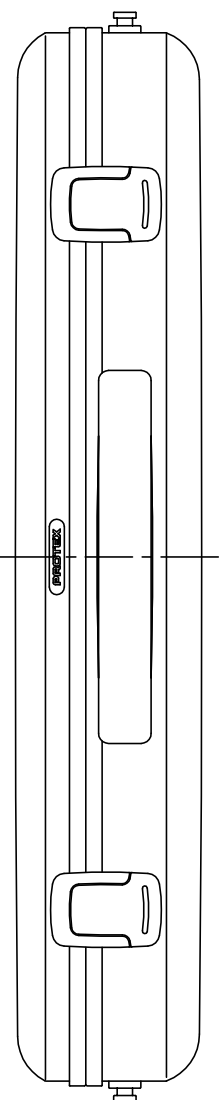


PROTEX



NOTE

1. UNIT=mm
2. S=NTS
3. WEIGHT:1.9Kg

ISSUE DATE	DESIGNED	REVISION	CHECKED	APPROVED	SIG	CHK	TITLE
DATE							MODEL OR SYSTEM
							LA-627 外形図
							DRAWING NO.
							1/1